



Garden Jet Pump Instruction Manual



Model: UP-TECH40PC - 804908

CONTENTS

1. Applications.....	2
2. Model Description	2
3. Technical Data.....	3
4. Implementation Standards	3
5. Safety Precautions	3
6. Product Structure	5
7. Pipeline Installation	5
8. Start-up and Maintenance.....	7
9. Troubleshooting	8

Symptom	Cause	Corrective Action
Insufficient pressure	Incorrect pump type.	Select suitable model.
	The inlet pipeline is too long or with too many bends, or/and pipe diameter is not selected as required.	Apply the pipe with the stipulated diameter, and make the inlet pipe short.
	Inlet pipeline, filter screen or pump chamber is blocked by foreign materials.	Clean pipeline, foot valve or pump chamber, clear foreign materials.
Motor works intermittently or the stator winding is burned out	The impeller is jammed or in overload operation for a long time.	Clear foreign materials in the pump chamber; operate the pump under the rated flow.
	Incorrect grounding, broken cable or the electric pump is struck by lightning.	Properly grounded, replace the broken cable , and replace winding coils.

This appliance can be used by children aged from 8 years and above and persons with reduced physical, sensory or mental capabilities or lack of experience and knowledge if they have been given supervision or instruction concerning use of the appliance in a safe way and understand the hazards involved.

Children shall not play with the appliance. Cleaning and user maintenance shall not be made by children without supervision.

Attention!

If the appliance or the supply cord is damaged, it must be repaired by manufacturer, its service agent or qualified person.



Meaning of crossed –out wheeled dustbin:

Do not dispose of electrical appliances as unsorted municipal waste, use separate collection facilities.

Contact you local government for information regarding the collection systems available.



Read the instructions carefully and follow the rules for safe operation.

The operator shall take full responsibility for personal injury, pump damage and other property losses caused by violation of safety cautions.

1. Applications

It is applicable to household water supply, equipment support, well water lifting, pipeline pressurization, garden watering, vegetable greenhouse watering, fish farming and poultry raising, etc..

Transfer clean water and other non-corrosive liquids with low viscosity; do not transport inflammable, explosive, gasified liquids and liquids containing solid particles or fibers. The liquid PH value shall be between 6.5 and 8.5.

Remark:

The pump can work automatically, equipped with pressure tank, pressure switch and other necessary parts. Function features of the automatic pump are as follows: when the power is on, turn on the water tap and the pump will start working automatically; when the water tap is turned off, the pump will stop working automatically. If a water tower is used along with the automatic pump, connect to the upper limit switch and the pump will start or stop working automatically with water level in the water tower.

3. Technical Data

Max. flow: 53 L/min

Max. head: 30 m

Output power: 0.3 ~ 0.4 kW

Max. suction: 8 m

Protection class: IPX4

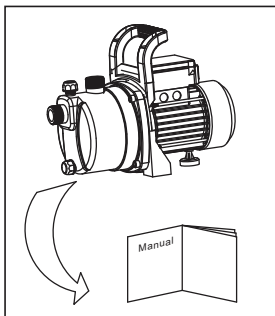
Insulation class: F

Max. ambient temperature: +40°C

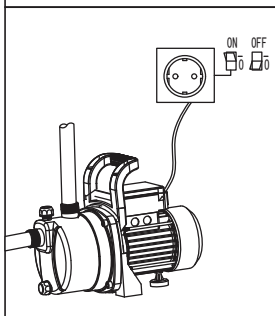
4. Implementation Standards

- IEC/EN 60335-1 Household and similar electrical appliances--safety Part1: General requirements.
- IEC/EN 60335-2-41 Household and similar electrical appliances--safety Part2-41:Particular requirements for pump.
- 2006/95/EC Low voltage directive

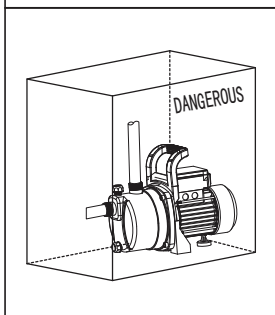
5. Safety Precautions



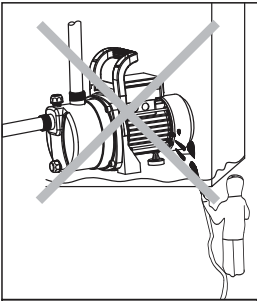
1. To ensure normal and safety operation of the electric pump, read the manual carefully before use.



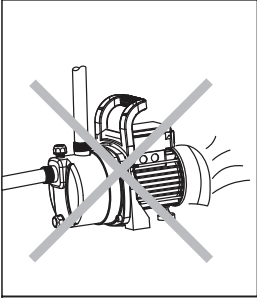
2. To avoid electric shock, make sure the pump is safely grounded and equipped with an earth leakage circuit breaker. Do not get the plug wet and do not use any socket in an area with high humidity.



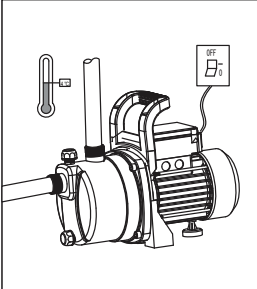
3. Do not touch the electric pump while working; do not wash, swim near working area or let livestock into the water to avoid accidents.



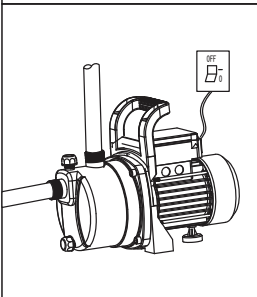
4. Avoid splashing pressured water to the electric pump
Do not immerse the pump in water.



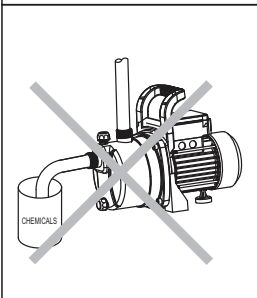
5. Keep the pump in a well-ventilated place.



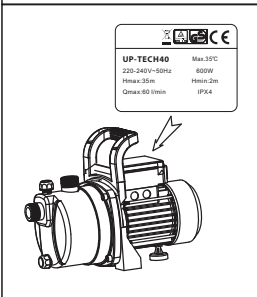
6. If the environment temperature is below 4°C or after long period of non-use, the liquid inside shall be discharged for freeze and frost protection.



7. The pumped liquid may be hot and under high pressure, before moving and disassembling the pump. valves in both sides of the pump should be turned off first and then empty liquids in the pump and pipelines so as not to be scalded.



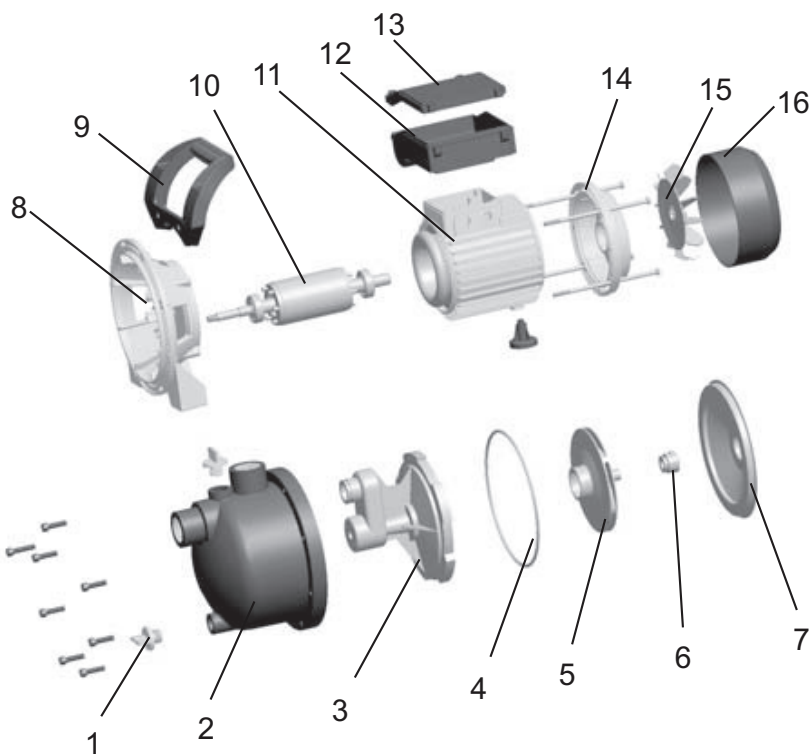
8. Never use the pump to transport inflammable, gasifying or explosive liquid that exceeds the specified liquids in this manual.



9. The power supply should be in accordance with the voltage stated in the nameplate. If the pump is not be used for a long time, empty it completely, wash it with clean water and store it in a dry, well-aired place.

UP-TECH40	
220-240V~50Hz	Max. 35°C
Power 350W	600W
Flow 35m³/h	Head 2m
Qmax 60 l/min	IPX4

6. Product Structure

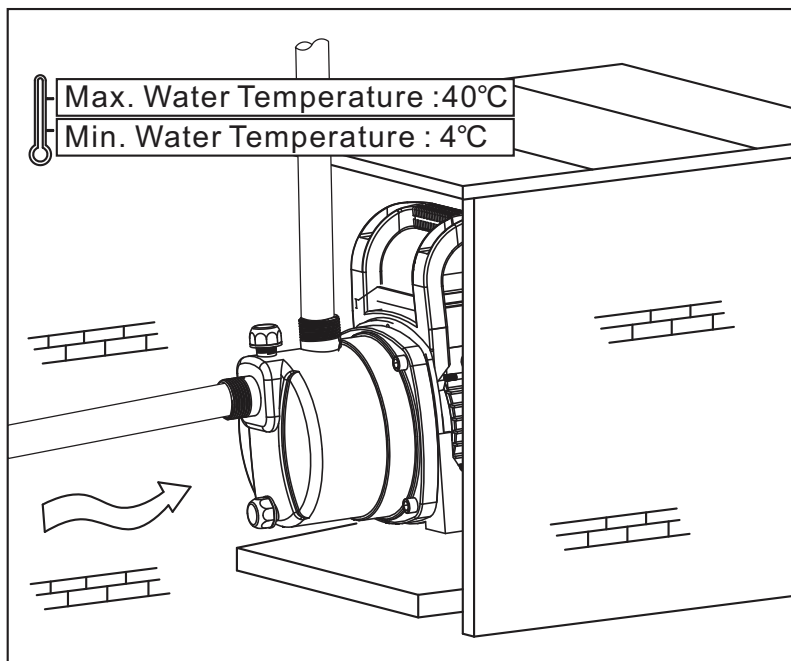


POS.	Part
1	Plug
2	Pump body
3	Diffuser
4	O-ring
5	Impeller
6	Mechanical seal
7	Bracket cover
8	Support
9	Handle
10	Rotor
11	Stator
12	Terminal box
13	Switch cover
14	Rear cover
15	Fan
16	Motor cover

7. Pipeline Installation



This product shall be installed and maintained by a qualified person who is proficient with this instruction. The installation and operation must be in accordance with local regulations and the recognized operation criteria. Install the pipeline properly according to the requirement of this instruction, and protect it from freezing.



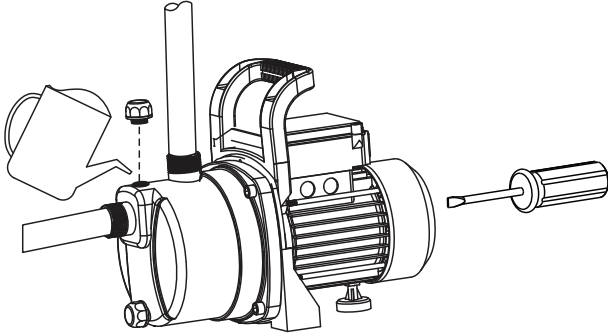
1. Make the inlet pipeline as short as possible and keep bends as few as possible during installation. Keep the pump in a dry and well-ventilated place. In condition of outdoor installation outdoor, make sure the pump is properly protected by weather-proof covering.
2. Installation of valves on inlet and outlet pipelines is necessary. The valve installed on inlet pipeline shall be one-way valve.

[This page has been left blank intentionally]

8. Start-up and Maintenance



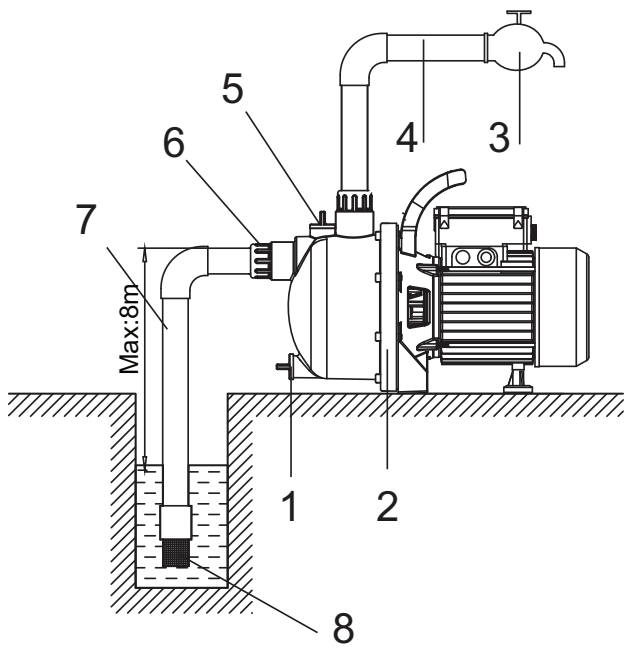
Do not switch on the pump if the pump chamber is not fully filled with water.
Do not touch the electric pump unless the power of pump is cut off for over 5 minutes.
Do not remove the pump bonnet unless the water in pump chamber is completely drained.



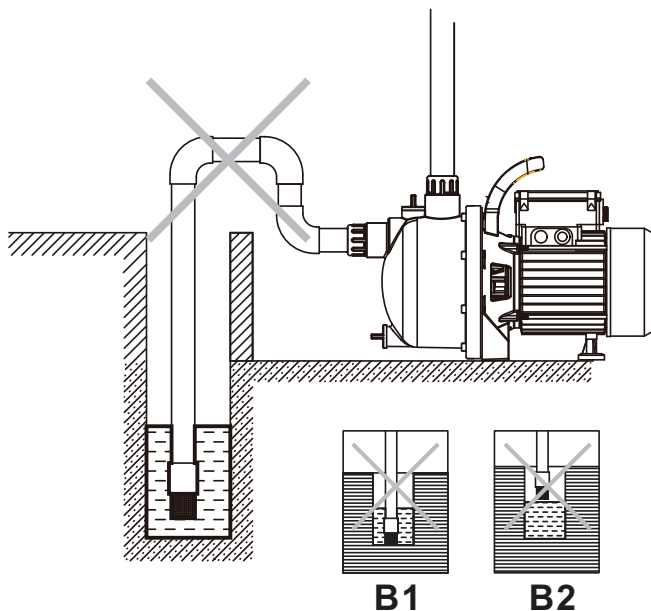
Stir the fan with a screwdriver to check if the pump rotates flexibly before startup. Remove the filling plug and prime the pump chamber fully with clean water, then screw the filling plug. Keep the valve wide opened during startup. When the pump runs normally, adjust the valve to the required flow (The range of flow and head is shown on the nameplate).

Note:

- 1). If no water can be pumped in 5 minutes after the pump is filled with water and started up, turn off and refill the pump, or check the leakage of inlet pipelines, then restart the pump.
- 2). For frost and freeze protection, remove the discharge plug on the air tank and drain the water in the pump chamber completely. Before restart the pump, it's necessary to remove the filling plug, fill the pump fully with water, and then screw the filling plug.
- 3). In case of no use for a long time, discharge the water in the pump chamber and store the pump in a dry, well-ventilated place.
- 4). If the ambient temperature is high, make sure the pump works in a well-ventilated place to avoid electrical faults caused by dew on electrical parts.
- 5). In case of overheat or abnormal operation of the pump motor, cut off the power supply immediately, and check the faults according to the following form.



Correct Installation Diagram **A**



Incorrect Installation Diagram **B**

A:

- | | |
|------------------|-----------------|
| 1. Drain Plug | 5. Filling plug |
| 2. Electric pump | 6. Tie-in |
| 3. Water tap | 7. Inlet pipe |
| 4. Outlet pipe | 8. Foot valve |

Notes for inlet pipeline installation:

- 1). Do not use soft rubber tube for inlet pipeline during pump installation.
- 2). The bottom valve shall be vertically installed with a distance of 30 cm from the water bottom to avoid suction of sediment (A2).
- 3). All connections of the inlet pipeline must be sealed. To ensure water suction, it's necessary to reduce the quantity of bents of the pipeline.
- 4). The diameter of inlet pipeline must not be less than that of the pump inlet to avoid big hydraulic loss and small water flow.
- 5). Pay attention to the water level during operation. The bottom valve shall not be above the water surface (A1);
- 6). In case the inlet pipeline is more than 10 m in length or over 4 m in hoisting height, the diameter of the inlet pipeline must be bigger than that of the pump inlet.
- 7). Make sure that the pump is not affected by the pipeline pressure during pipeline installation.
- 8). It is recommended to install a filter on inlet pipeline to avoid incoming of solid particles to the electric pump.
- 9). Before first operation, the inlet pipeline must be fully filled with water and installed with a bottom valve.

Note for outlet pipeline installation:

The diameter of the outlet pipeline shall be not less than that of the pump outlet to reduce the pressure drop, high flow rate and noise to the lowest level.

9. Troubleshooting



Check the pump after power cut-off.

Symptom	Cause	Corrective Action
The motor can not be started	Single-phase power supply (three-phase electric motor): a. poor connection of the power switch; b. fuse is burned out; c. loose power lead; d. phase failure of the cable	a. repair switch contact or replace the switch; b. replace the safety fuse; c. check and tighten the power connector; d. repair or replace cables.
	Capacitor is burned out.	Replace with a same type capacitor (send to the maintenance point for repair).
	The rotating shaft and bearing are jammed.	Replace the bearing (send to the maintenance point for repair).
	Impeller is jammed.	Turn rotating shaft of the fan blade terminal with screw driver to let it rotate flexibly or demount the pump body to clear sundries.
	Stator winding is damaged.	Replace winding coils (send to the maintenance point for repair).
The motor is in operation, but no water is discharged	Incorrect direction of pump rotation.	Invert two-phase wirings of the motor (three-phase motor).
	The pump is not fully filled with water.	Re-fill the pump with water.
	The impeller is damaged.	Replace the impeller (send to the maintenance point for repair).
	Leakage of the suction pipe.	Check sealing of various joints of the inlet pipelines.
	Water level is too low.	Adjust installation height of the pump.
	Freeze caused by accumulated water in the pipeline or the chamber.	Start up the pump after ice is melted.
	Water that is too hot can result in the failure of plastic parts.	Replace the damaged parts (send to the maintenance point for repair)



White International Pty Ltd
Limited Product Warranties
TERMS & CONDITIONS

This warranty is given in addition to the consumer guarantees found within the Australian Competition and Consumer Act 2010 (Cth) for goods purchased in Australia and the Consumer Guarantees Act 1993 NZ for goods purchased in New Zealand:

- 1) White International Pty Ltd / White International NZ Ltd (White International) warrant that all products distributed are free from defects in workmanship and materials, for their provided warranty period as indicated on the top or opposite side of this document. Subject to the conditions of the warranty, White International will repair any defective products free of charge at the premises of our authorised service agents throughout Australia and New Zealand if a defect in the product appears during the warranty period. If you believe that you have purchased a defective product and wish to make a claim under this warranty, contact us on our Sales Hotline on 1300 783 601, or send your claim to our postal address or fax line below and we will advise you as to how next to proceed. You will be required to supply a copy of your proof of purchase to make a claim under this warranty.
- 2) This warranty excludes transportation costs to and from White International or its appointed service agents and excludes defects due to non-compliance with installation instructions, neglect or misuse, inadequate protection against the elements, low voltage or use or operation for purposes other than those for which they were designed. For further information regarding the suitability of your intended application contact us on our Sales Hotline on 1300 783 601. If you make an invalid claim under this warranty, the original product will be sent back to you unrepaid.
- 3) This warranty refers only to products sold after the 1st January 2012, and is not transferable to another product type and only applies to the original owner, purchaser or end user, and is in addition to the consumer guarantees found within the Competition and Consumer Act 2010 (Cth) for goods purchased in Australia and the Consumer Guarantees Act 1993 (NZ) for goods purchased in New Zealand.
- 4) Our goods come with guarantees that cannot be excluded under the Australian Consumer Law. You are entitled to a replacement or refund for a major failure and for compensation for any other reasonably foreseeable loss or damage. You are also entitled to have the goods repaired or replaced if the goods fail to be of acceptable quality and the failure does not amount to a major failure.
- 5) To the fullest extent permitted by law, White International excludes its liability for all other conditions or warranties which would or might otherwise be implied at law. To the fullest extent permitted by law, White International's liability under this warranty and any other conditions, guarantees or warranties at law that cannot be excluded, including those in the Competition and Consumer Act 2010 (Cth), is expressly limited to:
 - (a) in the case of products, the replacement of the product or the supply of equivalent product, the payment of the cost of replacing the product or of acquiring an equivalent product or the repair of the product or payment of the cost of having the product repaired, is at the discretion of White International or a 3rd party tribunal elected under the Competition and Consumer Act 2010 (Cth) for goods purchased in Australia and the Consumer Guarantees Act 1993 (NZ) for goods purchased in New Zealand; and
- 6) To the fullest extent permitted by law, this warranty supersedes all other warranties attached to the product or its packaging.
- 7) In the case of services, supplying the services again or the payment of the cost of having the services supplied again, is at the discretion of White International or a 3rd party tribunal elected under the Competition and Consumer At 2010 (Cth) for goods purchased in Australia and the Consumer Guarantees Act 1993 (NZ) for goods purchased in New Zealand.
- 8) Our warranty commences from the date of purchase of the above mentioned pumps. Proof of purchase is required before consideration under warranty is given. Record your date of purchase in the space below and retain this copy for your records.

Date of Purchase
Model Purchased

WHITE INTERNATIONAL PTY LTD
60 Ashford Ave Milperra NSW 2214
PO Box 304 Milperra LPO NSW 2214
Customer Service Hotline 1300 783 601
Fax 02 9783 6001
Email Sales: pumpsales@whiteint.com.au
www.whiteint.com.au

WHITE INTERNATIONAL NZ LTD
15G Kerwyn Avenue
East Tamaki, Auckland 2013, New Zealand
Customer Service Hotline 0800 509 506
Customer Service Faxline 0800 804 344
Email Sales: sales@whiteint.co.nz
www.whiteint.co.nz