

Series 300, 450 and 600 Stormwater Pits

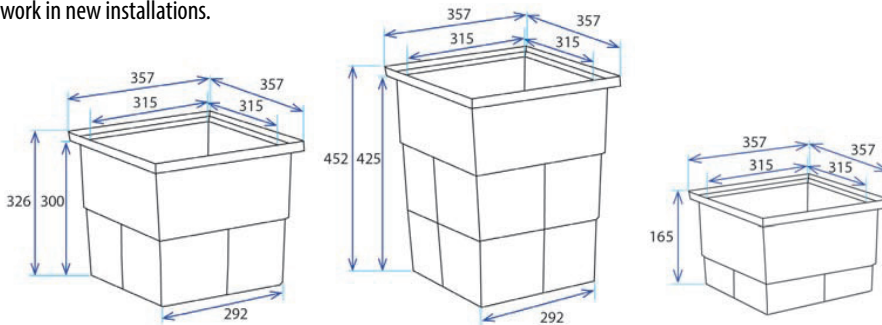
Designed for both commercial and domestic applications, Everhard stormwater pits are injection moulded in strong, durable, UV resistant polypropylene and are ideal for many trafficable areas when properly installed. Providing both an economical and efficient solution for the removal of surface water to comply with AS/NZS 3500-2003, the entire range of stormwater pits can be used with confidence and permit easy installation.

Grates and Covers

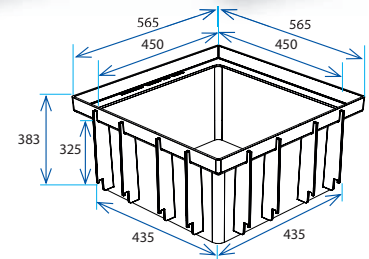
Everhard has a range of grates and covers to suit the Stormwater Pits from stylish, heel friendly EURODESIGN 316 Stainless Steel and light-weight aluminium for the Series 300 to rugged Class A and B galvanised steel in standard or heel friendly, as well cast iron and hard-wearing checkerplate for the Series 450 and 600 there is a cover or grate for almost every usage situation.

Stormwater Management Devices

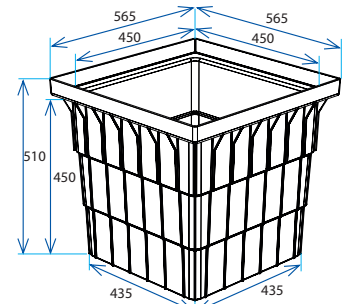
Tough polymer leaf baskets are available for the Series 300 Stormwater Pit. Trash Screens and SQID® devices are available for Series 300, 450 and 600 are designed to be simply placed into position under the standard Steel Grate to provide an efficient and cost-effective guard against trash entering the stormwater drains. No modification is needed to existing pits, and no extra work in new installations.



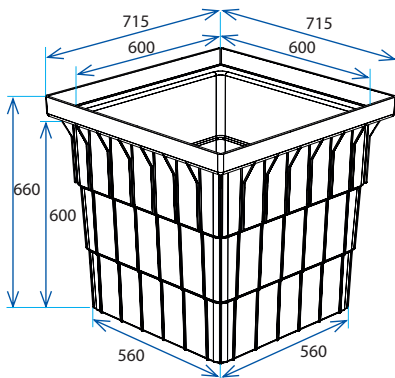
Series 300 Shallow Stormwater Pit Series 300 Deep Stormwater Pit Series 300 Riser



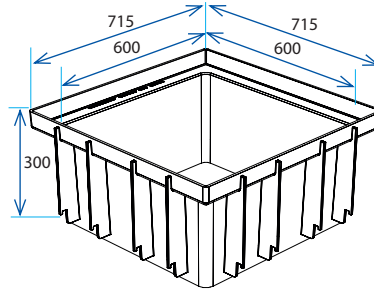
Series 450 Shallow Stormwater Pit



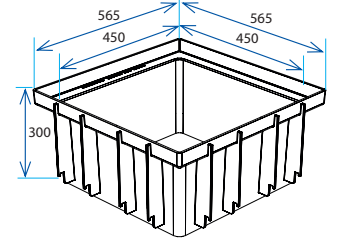
Series 450 Deep Stormwater Pit



Series 600 Stormwater Pit



Series 600 Riser



Series 450 Riser

Product Code	Description	Weight Kg
84811	Series 300S Stormwater Pit Case only	1.8
84816	Series 300D Stormwater Pit Case only	2.3
84221	Series 300 Stormwater Pit Riser	1.0
80034	Series 450S Stormwater Pit Case only	5.6
80001	Series 450D Stormwater Pit Case only	8.0
80035	Series 450 Stormwater Pit Riser	4.8
80010	Series 600 Stormwater Pit Case only	14.0
80036	Series 600 Stormwater Pit Riser	8.8