



**Products:** Leaf Beater® with Clean Shield™ and VH Pivot™

**Code:** RHLB20 – 90mm  
RHLB21 – 100mm

Compact Rain Head with Enhanced Performance

## Product Description

Keeps your Rain Harvesting system free of mosquitoes, vermin and debris.

The Leaf Beater® with Clean Shield™ and VH Pivot™ is a practical and versatile Rain Head, featuring the patented Clean Shield™ (single screen) and VH Pivot™ technology. The Leaf Beater® Rain Head prevents debris from entering the Rain Harvesting system, improves water quality and reduces tank maintenance. The single screen incorporates Clean Shield™ technology which deflects leaves and debris away from the flow of water. This minimises maintenance and enhances catchment efficiency. This Rain Head also incorporates a VH Pivot™ outlet that swivels to suit vertical or horizontal downpipes.

## Features and Benefits

- Patented single screen technology for advanced debris shedding (Clean Shield™)
- Enhanced catchment efficiency – collect more rainwater
- Minimal maintenance – screen automatically sheds debris
- Higher flow rate performance
- Compact design suits smaller spaces
- A single mosquito proof stainless steel mesh screen with 0.955mm aperture
- Pivot the outlet to suit vertical or horizontal (rear outlet) downpipes - variety of installation options in one product

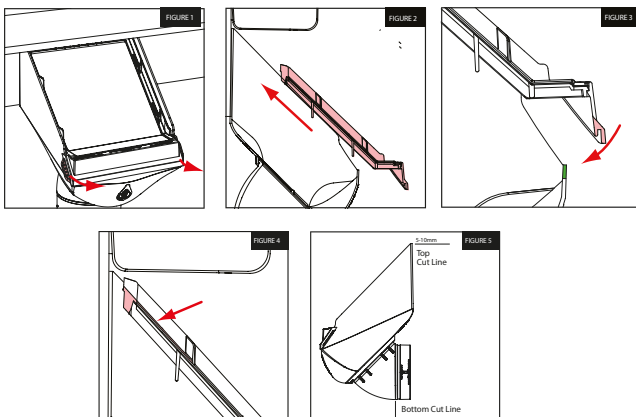
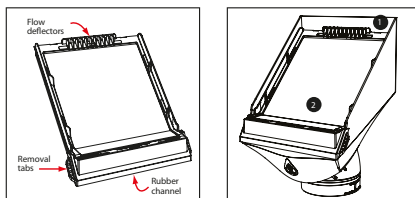
## Compliance

- Queensland Development Code MP 4.2 – Water Saving Targets
- AS/NZS 3500.3:2003 Plumbing and Drainage – Stormwater Drainage
- HB230:2008 Rainwater Tank Design and Installation Handbook
- enHealth Council – Guidance on the Use of Rainwater Tanks – Preventing Mosquitoes Breeding
- Queensland Health Regulations 1996 (Part 8 – Mosquito Prevention)

## Installation

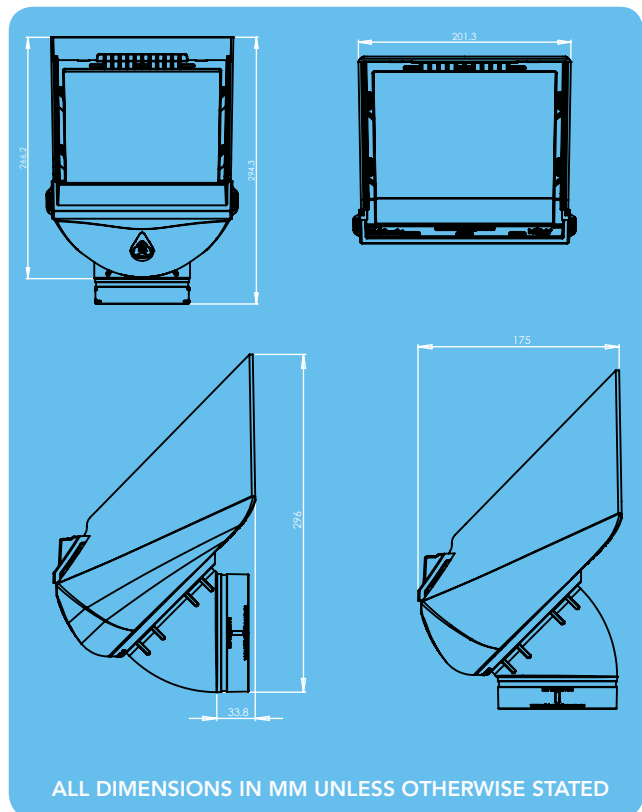
### Gutter / Mid Mount Installation

1. Gutter: Measure 255mm from the bottom of the existing gutter pop and remove this section of downpipe. Ensure the cut edge is clean and smooth.  
Mid-Mount: Remove 255mm of downpipe where the Leaf Beater® is to be situated. Ensure all cut edges are clean and smooth.
2. Remove the Clean Shield™ screen #2 whilst fitting the Leaf Beater®. Simply lift the Clean Shield™ screen out (figure 1) by taking hold of the quick release tabs (red) and pull them outwards and upwards.
3. Insert the Leaf Beater® by sliding it up over the cut section of pipe and then down into position. The Leaf Beater® outlet should be slid firmly onto the bottom downpipe until it can be pushed no further.
4. Fasten the unit to the fascia or wall with two rivets or screws through the back of the body #1 and into the fascia or wall.
5. Insert the Clean Shield™ screen #2 into the rain head at approx 45 degrees (figure 2) until the front rubber channel is nearly over the front lip of the body.  
TIP: Wetting the rubber seal will help the screen slide into place.
6. Fix the front of the Clean Shield™ screen #2 into place (figure 3) by sliding the rubber channel (red) over the front lip (green) of the body.
7. Reaching towards the back of the screen push down on the plastic frame (figure 4) so that the rear edge (red) of the screen comes to rest on the body of the rain head.
8. The Leaf Beater® is now ready for connection to the downpipe. Do NOT glue the Leaf Beater® to the downpipe. SECURE with a screw for easy replacement.



### Horizontal (Rear Outlet) Installation

1. Lift the Clean Shield™ (figure 1) screen out by taking hold of the quick release tabs (red) and pull them outwards and upwards.
2. Swivel the outlet to the horizontal position – some force may be required.
3. Position the Leaf Beater® next to existing pipework, mark and cut top and bottom cut lines as per (figure 5). Ensure the cut edge is clean and smooth.
4. Insert the Leaf Beater® by gluing the rear outlet into the horizontal pipe. The rear wall of Leaf Beater® body #1 must sit behind the top section of downpipe or gutter pop.
5. Fasten the Leaf Beater® to the fascia or wall with two rivets or screws through the back of the body #1 into the fascia or wall.
6. Insert the Clean Shield™ screen #2 into the rain head at approx. 45 degrees (figure 2) until the front rubber channel is nearly over the front lip of the body.  
TIP: Wetting the rubber seal will help the screen slide into place.
7. Fix the front of the Clean Shield™ screen #2 into place (figure 3) by sliding the rubber channel (red) over the front lip (green) of the body.
8. Reaching towards the back of the screen push down on the plastic frame (figure 4) so that the rear edge (red) of the screen comes to rest on the body of the rain head.



## Maintenance

The Clean Shield™ screen is mostly self cleaning. If cleaning is required simply lift the Clean Shield™ screen out by taking hold of the quick release tabs and pull the Clean Shield™ screen upwards and outwards, then hose or brush off.

PO413 DISCLAIMER This product specification is not a complete guide to product usage. Further information is available from Rain Harvesting Pty Ltd and from the Installation and Operating Instructions. This specification sheet must be read in conjunction with the Installation and Operating Instructions and all applicable statutory requirement. Product specifications may change without notice. © Rain Harvesting Pty Ltd