

# GRUNDFOS KP range

The KP series comprises three basic models, KP 150, KP 250 and KP 350. The KP pumps are designed for liquid transfer and drainage of clean or grey wastewater with the pump partially or completely submerged in the liquid.

The pumps can be used for automatic as well as manual operation and are suitable for permanent installation or use as a portable pump.



## Light, robust and versatile

The KP pumps are designed for all kinds of domestic drainage jobs. These handy little pumps are light and compact and fit into even narrow drainage pits. The use of stainless steel makes the pumps virtually maintenance free.



The strainer, which will allow solids up to 10 mm size to pass, can be dismantled for easy cleaning without the use of special tools.

The KP pumps can be used for all kinds of liquid transfer and drainage jobs - including drainage of basements, tanks, pools and garden ponds etc.

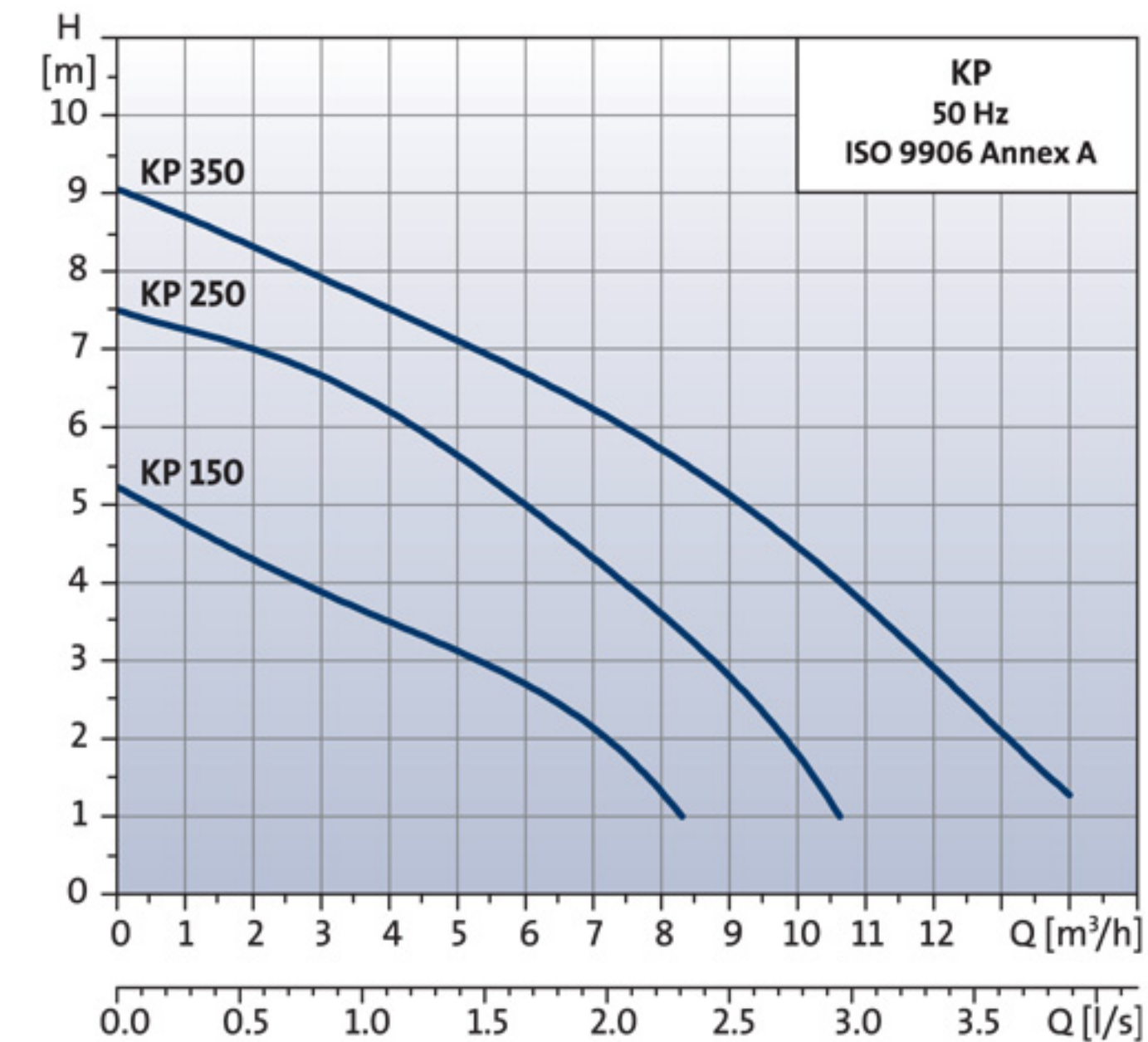
## Non-return valve

In order to prevent backflow, a non-return valve is available as an accessory. The non-return valve consists of a rubber flap and a stainless steel retainer. Fitted into the discharge port of the pump, the valve is kept in place by the discharge pipe.



KP pumps with vertical level switch are always supplied with integrated non-return valve.

## Performance overview



## Pumped liquids

KP pumps without vertical level switch, with or without float switch, are suitable for pumping of:

- Clean, non-aggressive water
- Grey wastewater without solid particles or fibres
- Rainwater
- Surface water
- Groundwater

If the pump has been used for other liquids than clean water, it is recommended to flush the pump with clean water immediately after use.

The open impeller construction allows free passage of solids up to 10 mm size.

Pumps with a vertical level switch mounted must only be used for pumping of clean water and drain water without solids.

## Liquid temperature

Min. liquid temp.: 0°C  
 Max. liquid temp., continuous operation: 50°C.  
 For periods not exceeding 2 minutes at intervals of at least 30 minutes: 70°C.

During continuous pumping the suction strainer must always be completely covered by the liquid.

## Motor

The KP pump can be supplied with the choice of single or three-phase asynchronous canned motor with liquid-filled rotor chamber and water lubricated bearings. The pumped liquid cools the motor.

Single-phase motors incorporate automatic overload protection, which cuts out the motor in case of overload. When it has cooled to normal temperature, the motor will automatically restart.

The KP pumps are delivered with a hermetically sealed motor with a socket for replaceable cable.

Enclosure class: IP68.  
 Insulation class: F (155°C).

## Approvals

Pump: PA-I No. 4008.  
 Non-return valve: PA-I No. 4940127-01.

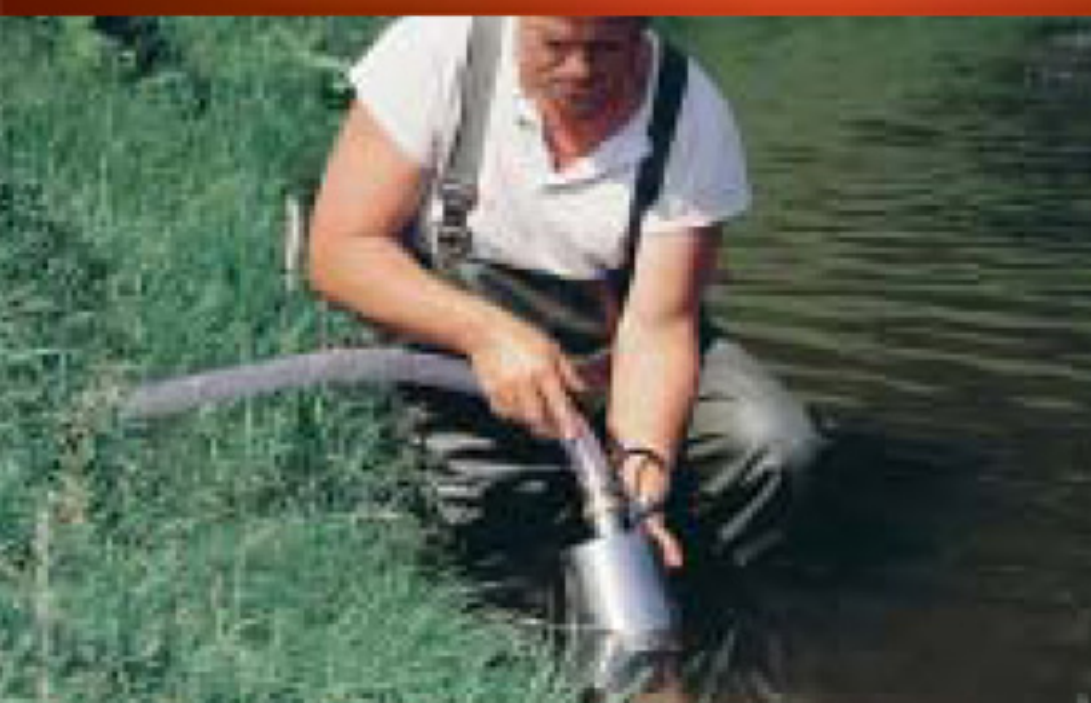
## Materials

Components	Materials	DIN W.-Nr.	AISI
Outer casing	Stainless steel	1.4301	304
Pump housing	Stainless steel	1.4301	304
Suction strainer	Stainless steel	1.4301	304
Impeller	Stainless steel	1.4301	304
Shaft	Stainless steel	1.4057	431
Stator housing	Stainless steel	1.4301	304
Guide vanes	Stainless steel	1.4301	304
Bearings	Carbon		
O-ring/ Seal rings	NBR		
Cables	H 07 RN-F		

## Installation

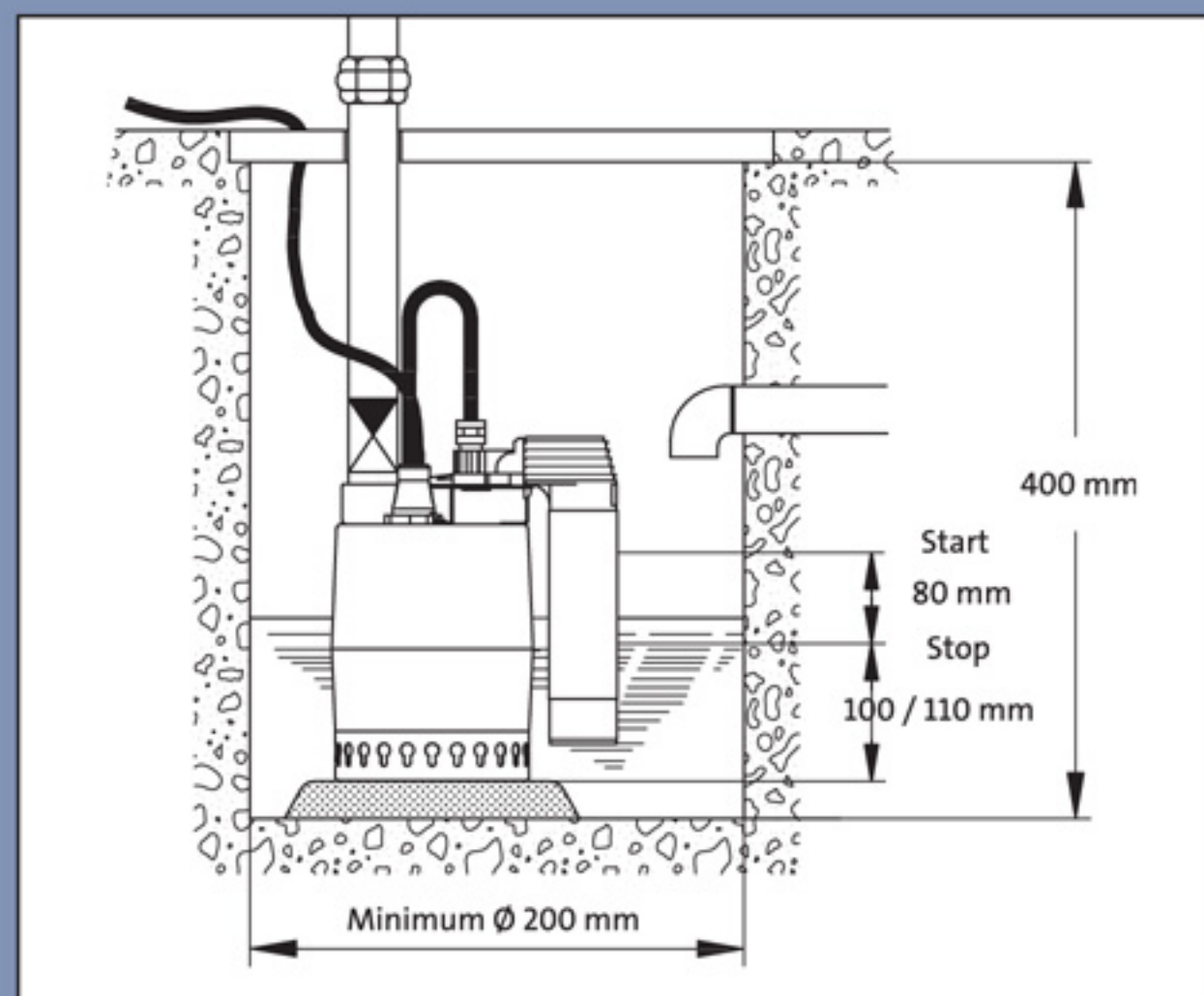
The KP pumps can be supplied with or without float switch or with a vertical level switch (see page 6). Pumps with the vertical level switch mounted must be used in a vertical position. With or without the float switch, the KP pumps can be used in any position (vertical, horizontal or tilted), as long as the discharge port remains the uppermost part of the pump.

With a float switch or the vertical level switch mounted, the KP pumps can be used for permanent installation with automatic operation.



# GRUNDFOS KP range

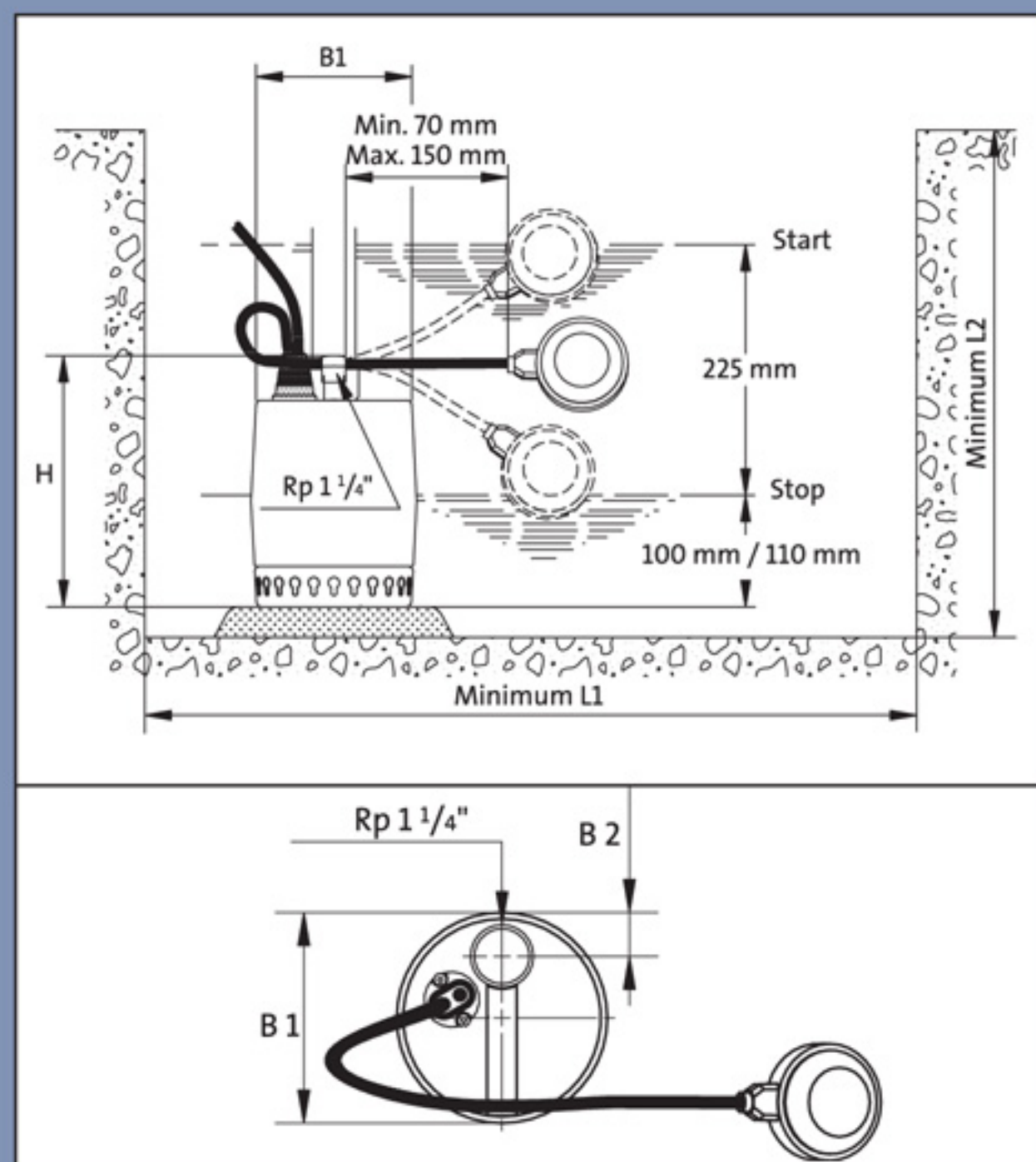
## Installation with vertical level switch



### Vertical level switch:

This type of installation requires a non-return valve in the discharge pipe or in the pump. The difference between start and stop levels is not adjustable on pumps with vertical level switch.

## Installation with float switch



### Float switch:

A clamp on the handle of the pump holds the cable of the float switch. The difference between start and stop levels can be adjusted by changing the free cable length between the handle of the pump and the float switch.

## Type key

Example	KP	350	A	1
Type range				
Normal motor output $P_2$ [W]				
150				
250				
350				
Level switch:				
A = automatic operation (with float switch)				
AV = automatic operation (with vertical level switch)				
M = manual operation (without level switch)				
Motor:				
1 = single-phase				
3 = three-phase				

## Dimensions

Pump type	Dimensions [mm]					
	H	B1	B2	L1	L2	L3
KP 150	225	149	31	350	400	70
KP 250	225	149	31	350	400	70
KP 350	235	149	31	350	400	70

## Electrical data, pump type and product numbers

Pump type	Voltage	Plug type	$P_1$ [kW]	$P_2$ [kW]	$I_N$ [A]	Weight [kg]	3 m cable Product no.	5 m cable Product no.	10 m cable Product no.
KP150-M	1x220-230	Schuko	0.3	0.15	1.3	6.2			011H1300
KP150-A	1x220-230	Schuko	0.3	0.15	1.3	6.3	011H1600		011H1800
KP150-AV	1x220-230	Schuko	0.3	0.15	1.3	6.3	011H1400		011H1900
KP150-M	1x220-230	Denmark	0.3	0.15	1.3	6.2			011H2300
KP150-A	1x220-230	Denmark	0.3	0.15	1.3	6.3	011H2600		011H2800
KP150-AV	1x220-230	Denmark	0.3	0.15	1.3	6.3	011H2400		011H2900
KP150-M	1x220-230	Switzerland	0.3	0.15	1.3	6.2			011H3300
KP150-A	1x220-230	Switzerland	0.3	0.15	1.3	6.3	011H3600		011H3800
KP150-AV	1x220-230	Switzerland	0.3	0.15	1.3	6.3	011H3400		011H3900
KP150-M	1x220-230		0.3	0.15	1.3	6.2			011H6300
KP150-A	1x220-230		0.3	0.15	1.3	6.3	011H6600		011H6800
KP150-AV	1x220-230		0.3	0.15	1.3	6.3	011H6400		011H6900
KP150-M	1x230-240	Australia	0.3	0.15	1.3	6.2		011K4100	
KP150-A	1x230-240	Australia	0.3	0.15	1.3	6.3		011K4700	
KP150-AV	1x230-240	Australia	0.3	0.15	1.3	6.3		011K4500	
KP150-M	1x100	Japan	0.3	0.15	3.5	6.2		011AB100	
KP150-A	1x100	Japan	0.3	0.15	3.5	6.4		011AB700	
KP250-M	1x220-230	Schuko	0.48	0.25	2.3	7.0			012H1300
KP250-A	1x220-230	Schuko	0.48	0.25	2.3	7.2	012H1600		012H1800
KP250-AV	1x220-230	Schuko	0.48	0.25	2.3	7.2	012H1400		012H1900
KP250-M	1x220-230	Denmark	0.48	0.25	2.3	7.0			012H2300
KP250-A	1x220-230	Denmark	0.48	0.25	2.3	7.2	012H2600		012H2800
KP250-AV	1x220-230	Denmark	0.48	0.25	2.3	7.2	012H2400		012H2900
KP250-M	1x220-230	Switzerland	0.48	0.25	2.3	7.0			012H3300
KP250-A	1x220-230	Switzerland	0.48	0.25	2.3	7.2	012H3600		012H3800
KP250-AV	1x220-230	Switzerland	0.48	0.25	2.3	7.2	012H3400		012H3900
KP250-M	1x220-230		0.48	0.25	2.3	7.0			012H6300
KP250-A	1x220-230		0.48	0.25	2.3	7.2	012H6600		012H6800
KP250-AV	1x220-230		0.48	0.25	2.3	7.2	012H6400		012H6900
KP250-M	1x230-240	Australia	0.48	0.25	2.2	7.0		012K4100	
KP250-A	1x230-240	Australia	0.48	0.25	2.2	7.2		012K4700	
KP250-AV	1x230-240	Australia	0.48	0.25	2.2	7.2		012K4500	
KP250-M	1x100	Japan	0.48	0.25	5.8	6.5		012AB100	
KP250-A	1x100	Japan	0.48	0.25	5.8	6.7		012AB700	
KP250-A	1x110		0.48	0.25	5.3	7.2			012C6800
KP250-AV	1x110		0.48	0.25	5.3	7.2			012C6900
KP250-M	3x200		0.48	0.25	1.5	6.5		012E6100	
KP250-M	3x380-415		0.48	0.25	0.8	7.3		012M6100	012M6300
KP250-M	3x380-415	CEE-Plug	0.48	0.25	0.8	7.5		012M9100	012M9300
KP350-M	1x220-240	Schuko	0.7	0.35	3.2	7.7			013N1300
KP350-A	1x220-240	Schuko	0.7	0.35	3.2	7.9	013N1600		013N1800
KP350-AV	1x220-240	Schuko	0.7	0.35	3.2	7.9	013N1400		013N1900
KP350-M	1x220-240	Denmark	0.7	0.35	3.2	7.7			013N2300
KP350-A	1x220-240	Denmark	0.7	0.35	3.2	7.9	013N2600		013N2800
KP350-AV	1x220-240	Denmark	0.7	0.35	3.2	7.9	013N2400		013N2900
KP350-M	1x220-240	Switzerland	0.7	0.35	3.2	7.7			013N3300
KP350-A	1x220-240	Switzerland	0.7	0.35	3.2	7.9	013N3600		013N3800
KP350-AV	1x220-240	Switzerland	0.7	0.35	3.2	7.9	013N3400		013N3900
KP350-M	1x220-240		0.7	0.35	3.2	7.7			013N6300
KP350-A	1x220-240		0.7	0.35	3.2	7.9	013N6600		013N6800
KP350-AV	1x220-240		0.7	0.35	3.2	7.9	013N6400		013N6900
KP350-M	1x220-240	Australia	0.7	0.35	3.2	7.7		013N4100	
KP350-A	1x220-240	Australia	0.7	0.35	3.2	7.9		013N4700	
KP350-AV	1x220-240	Australia	0.7	0.35	3.2	7.9		013N4500	
KP350-M	3x200		0.7	0.35	2.6	7.2		013E6100	
KP350-M	3x380-415		0.7	0.35	1.3	8.0		013M6100	013M6300
KP350-M	3x380-415	CEE-Plug	0.7	0.35	1.3	8.2		013M9100	013M9300